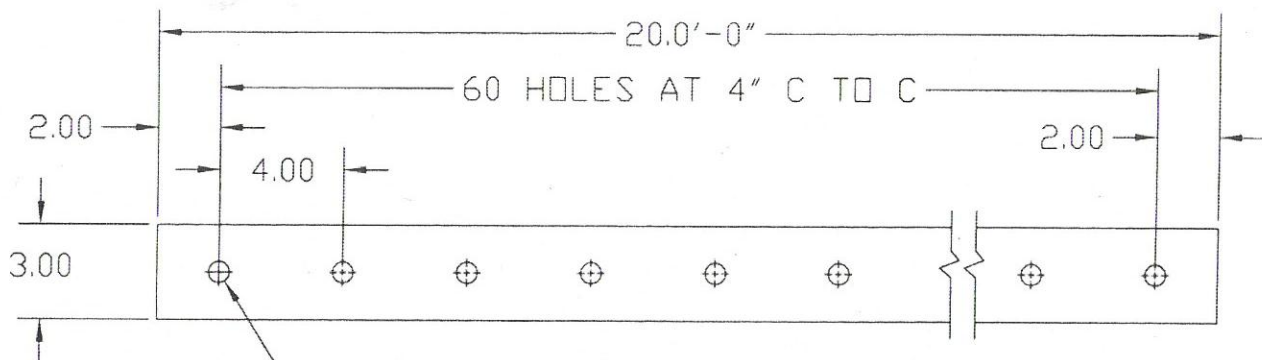
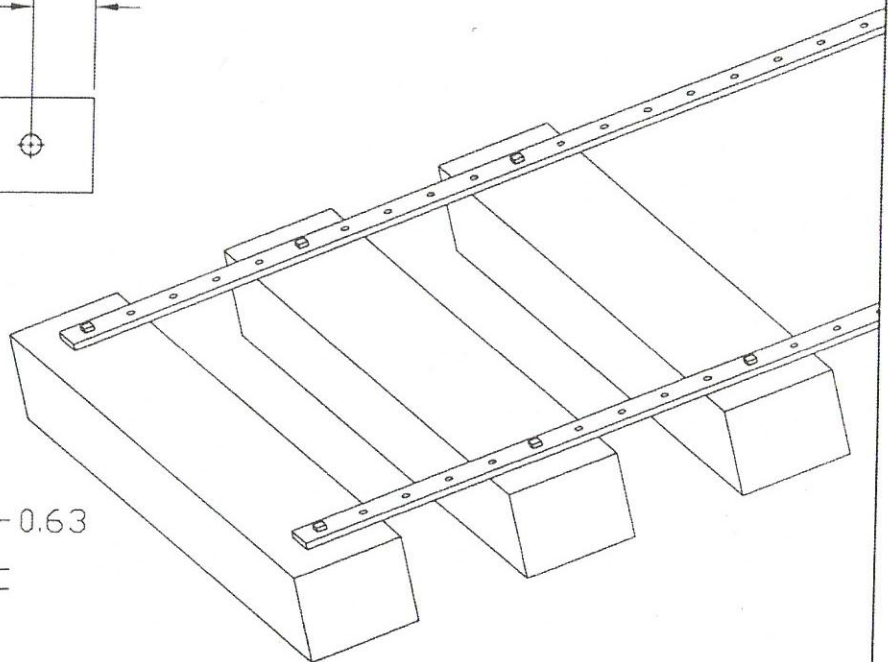
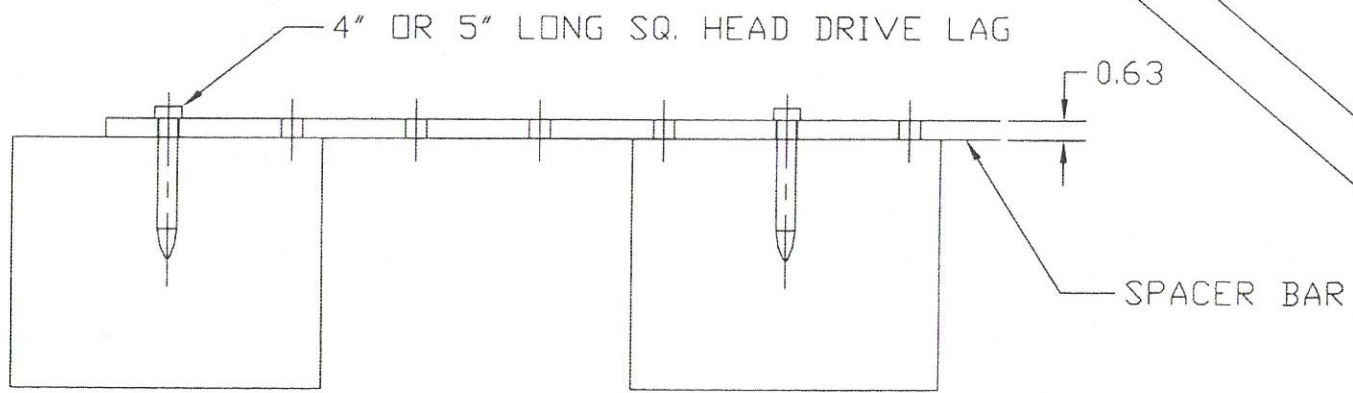


SYM	ENGINEERING CHANGES	BY	DATE



11/16-DIA. HOLES FOR 4" OR 5"
 LG. SQUARE HEAD DRIVE LAG
 SIZE OF BAR, HOLES & LAG SCREW
 VARIABLE UPON REQUEST



TIMBER SPACER BAR SECTION

S & K STEEL PRODUCTS INC.			
TITLE TIMBER SPACER BARS			
DRAWN JEM	DATE 10-30-13	SCALE NONE	CHECKED JEM 11-4-13
WEIGHT		DWG./PART NO.	
CAD FILE 13004HA1		13004HA1	

J & M 13004HA1