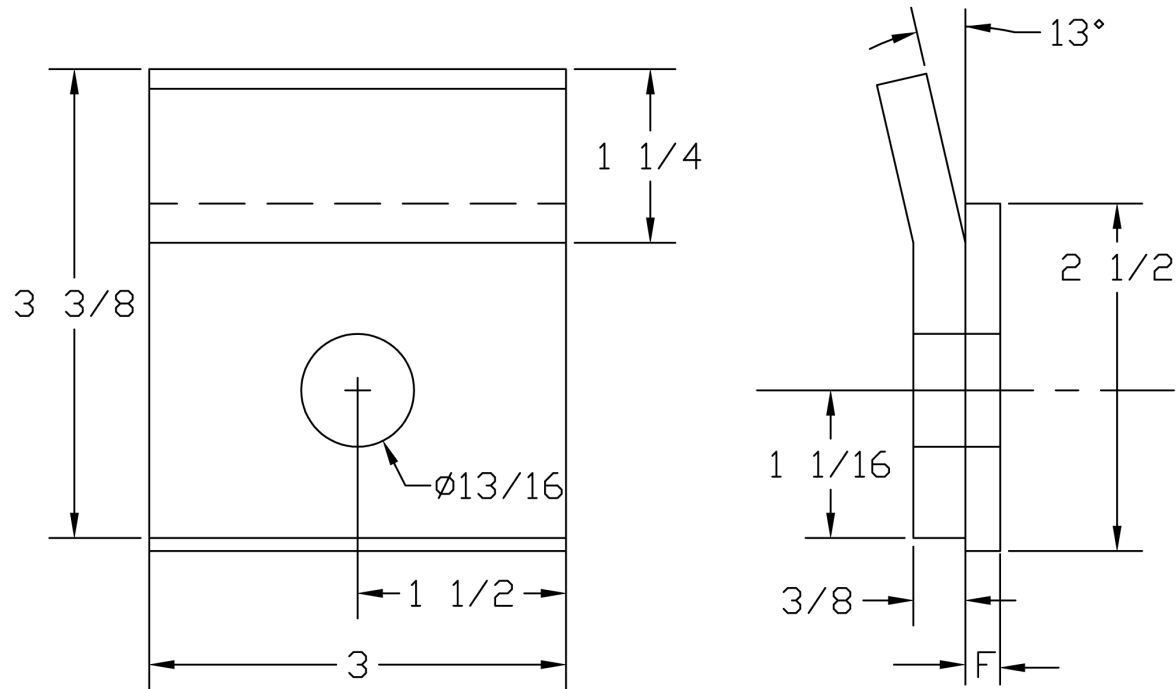


TIGHT FIT SINGLE HOLE CLAMP
& REVERSIBLE FILLER
20lb to 30lb



F = THICKNESS DEPENDS ON RAIL SIZE

3/5/2003

DESCRIPTION					
203 CLAMP & FILLER 20 & 30# RAIL					
BOLT	BOLT GAGE	TYP SPACING	MAT'L	WEIGHT	REV
3/4	BASE+2.50"	24"	A36	1.52 lbs	0
SCALE		TOL.	PART NO.		
NONE		+/- .030	CFA203300		

This drawing is the property of S&K Steel Products, Inc.
It is issued for engineering information only and may not
be copied for manufacturing without written permission from S&K.
S&K reserves the right to modify details necessary to facilitate mfg.

CFA203300