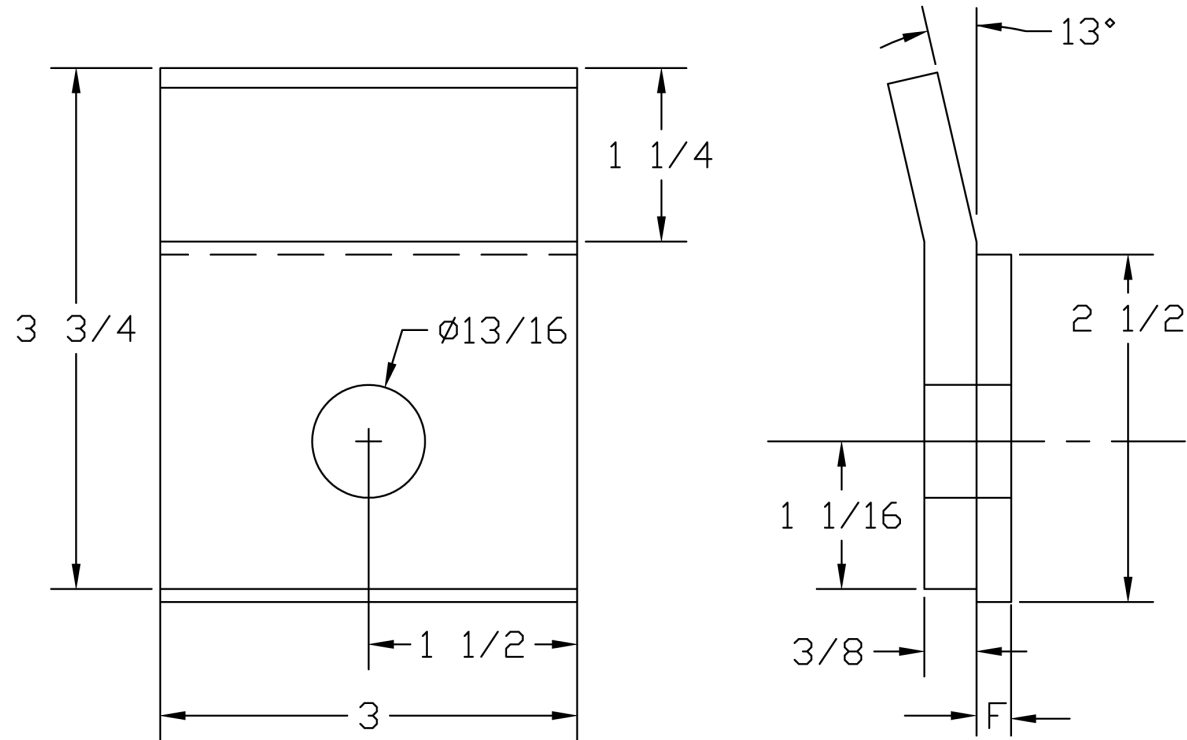


TIGHT FIT SINGLE HOLE CLAMP
& REVERSIBLE FILLER
40lb to 100lb



F = THICKNESS DEPENDS ON RAIL SIZE

3/5/2003

This drawing is the property of S&K Steel Products, Inc.
It is issued for engineering information only and may not
be copied for manufacturing without written permission from S&K.
S&K reserves the right to modify details necessary to facilitate mfg.

CFA203812

DESCRIPTION					
203 CLAMP & FILLER LT. RAIL					
BOLT	BOLT GAGE	TYP SPACING	MAT'L	WEIGHT	REV
3/4	BASE+2.75"	24"	A36	1.64 lbs	0
SCALE	TOL.			PART NO.	
NONE	+/- .030			CFA203812	