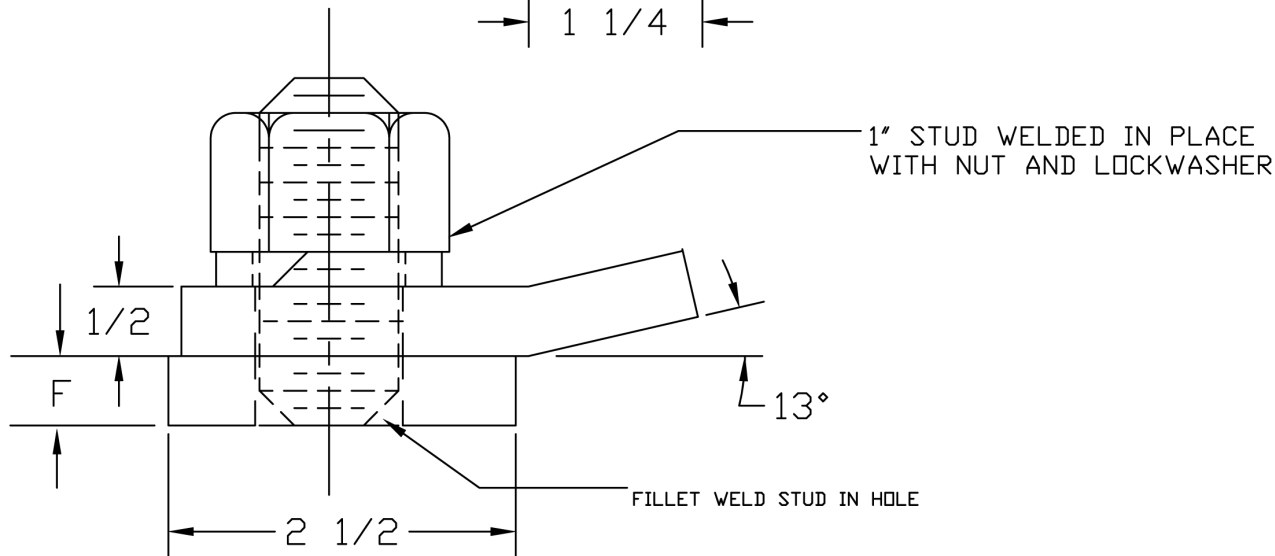
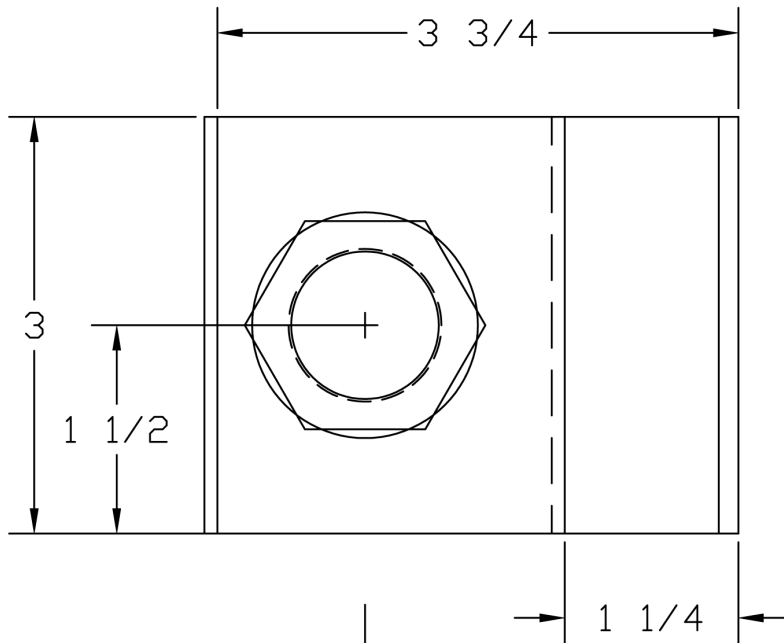


SINGLE HOLE CLAMP
& REVERSIBLE FILLER
WITH WELDED STUD



F = THICKNESS DEPENDS ON RAIL SIZE

3/5/2003

This drawing is the property of S&K Steel Products, Inc.
It is issued for engineering information only and may not
be copied for manufacturing without written permission from S&K.
S&K reserves the right to modify details necessary to facilitate mfg.

DESCRIPTION					
SINGLE HOLE WELDED STUD ASSEMBLY					
BOLT	BOLT GAGE	TYP SPACING	MAT'L	WEIGHT	REV
1"	N/A	24"	A36	3.7 lbs	0
SCALE	TOL	PART NO.			
NONE	+/- .030	CFA203WEL			

CFA203WEL