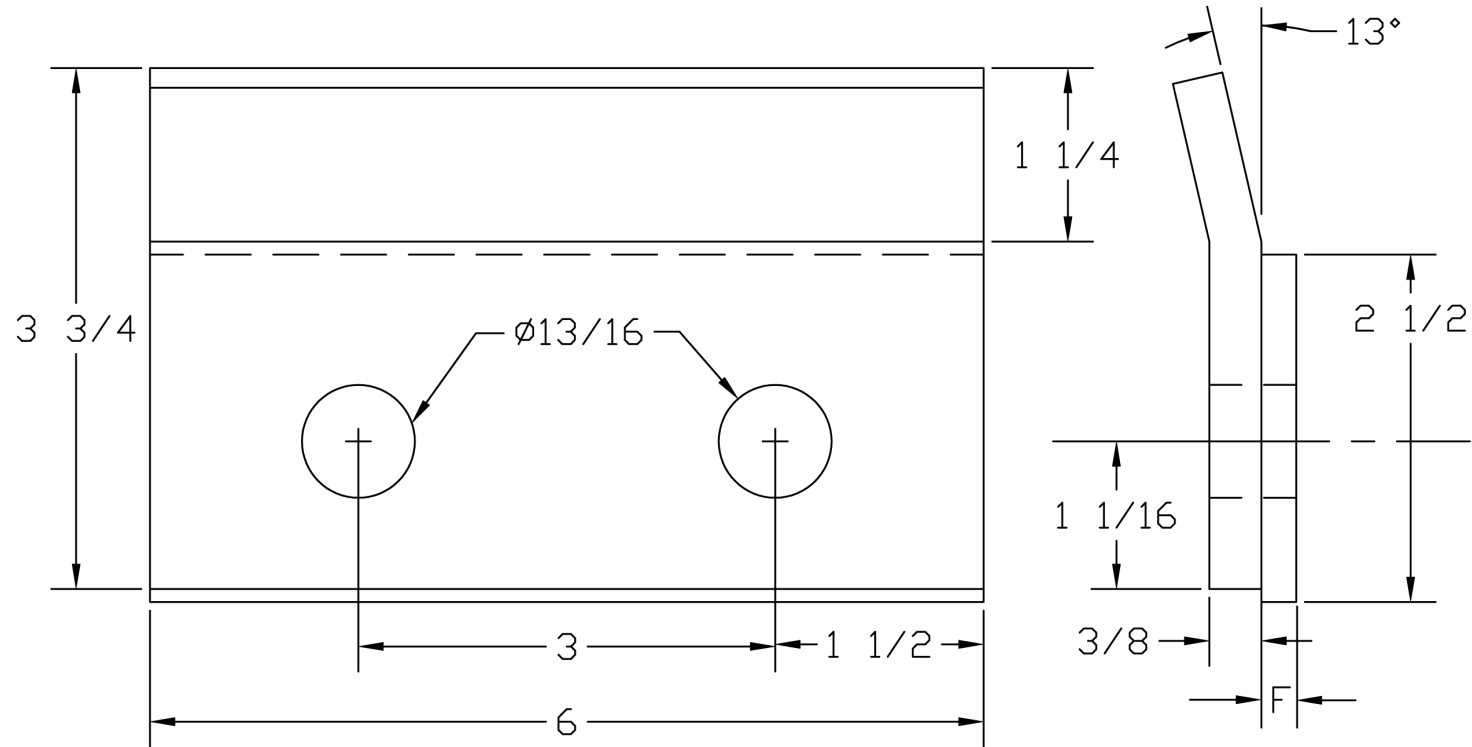


TIGHT FIT DOUBLE HOLE CLAMP  
& REVERSIBLE FILLER  
40lb to 100lb



F = THICKNESS DEPENDS ON RAIL SIZE

3/5/2003

DESCRIPTION					
204 CLAMP & FILLER LT RAIL					
BOLT	BOLT GAGE	TYP SPACING	MAT'L	WEIGHT	REV
3/4	BASE+2.75"	36"	A36	3.3 lbs	0
SCALE	TOL.		PART NO.		
NONE	+/- .030		CFA204812		

This drawing is the property of S&K Steel Products, Inc.  
It is issued for engineering information only and may not  
be copied for manufacturing without written permission from S&K.  
S&K reserves the right to modify details necessary to facilitate mfg.

CFA204812