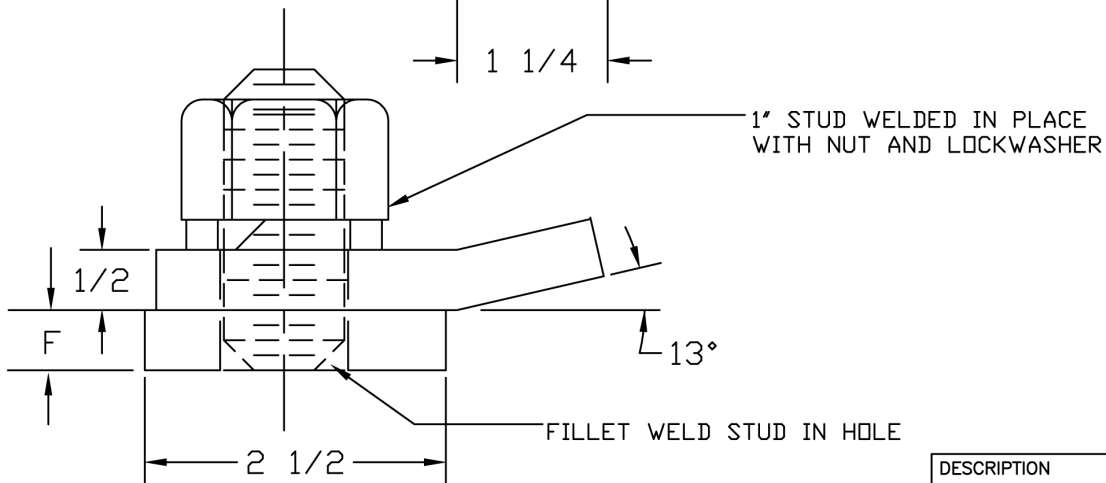
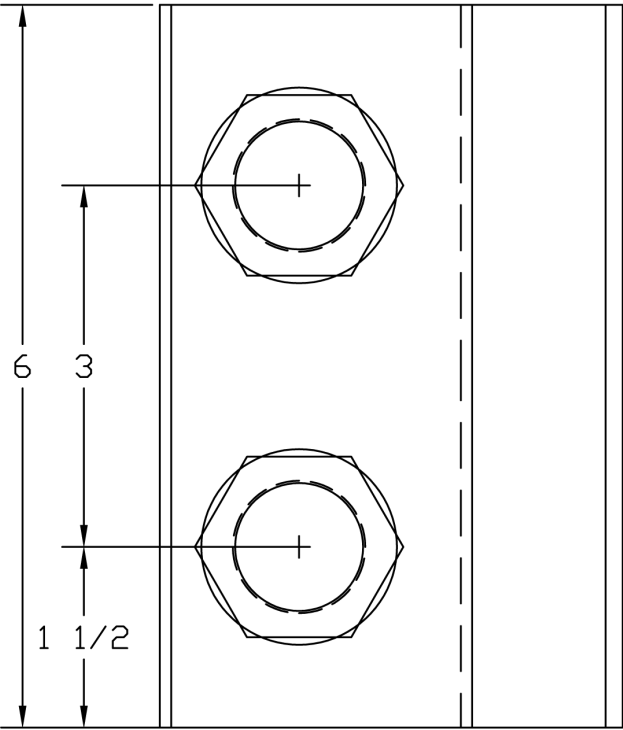


DOUBLE HOLE CLAMP  
& REVERSIBLE FILLER  
WITH WELDED STUD



F = THICKNESS DEPENDS ON RAIL SIZE

This drawing is the property of S&K Steel Products, Inc.  
It is issued for engineering information only and may not  
be copied for manufacturing without written permission from S&K.  
S&K reserves the right to modify details necessary to facilitate mfg.

3/5/2003

DESCRIPTION					
DOUBLE HOLE WELDED STUD ASSEMBLY					
BOLT	BOLT GAGE	TYP SPACING	MAT'L	WEIGHT	REV
1"	N/A	36"	A36	7.4 lbs	0
SCALE	TOL.	PART NO.			
NONE	+/- .030	CFA204WEL			

CFA204WEL