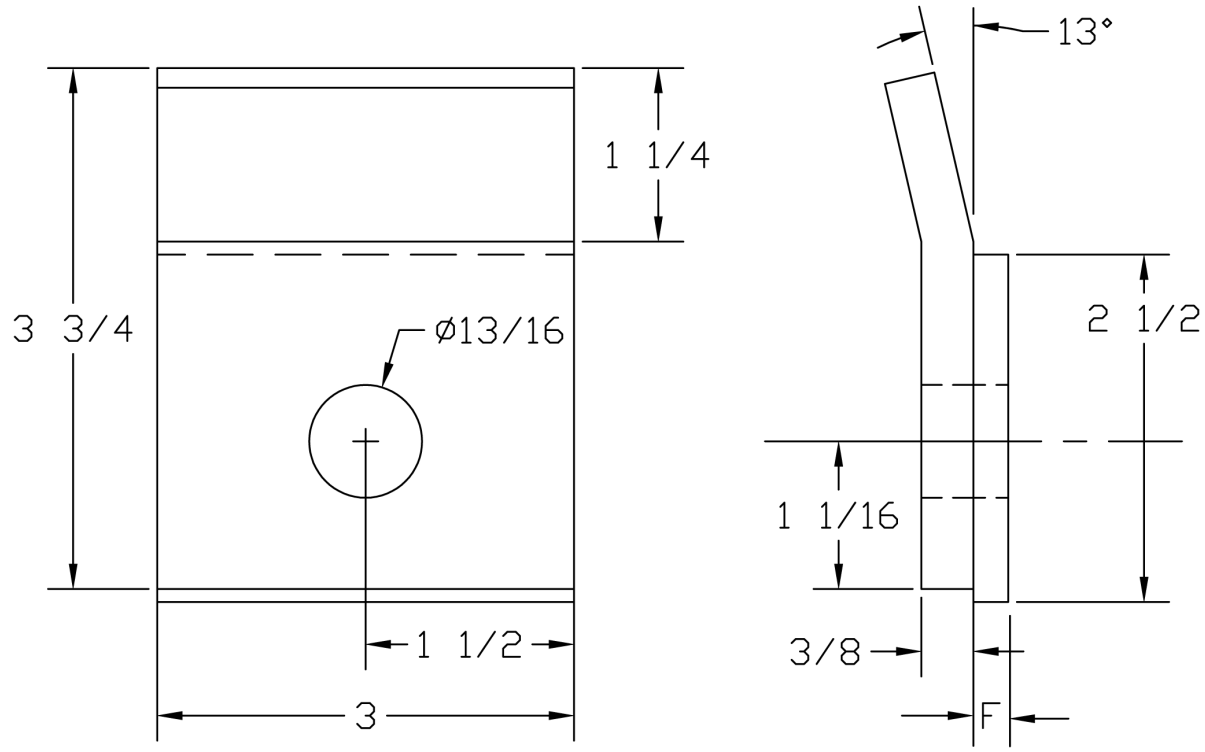


LOOSE FIT SINGLE HOLE CLAMP  
 & REVERSIBLE FILLER  
 40lb to 100lb



F = THICKNESS DEPENDS ON RAIL SIZE

3/5/2003

This drawing is the property of S&K Steel Products, Inc.  
 It is issued for engineering information only and may not  
 be copied for manufacturing without written permission from S&K.  
 S&K reserves the right to modify details necessary to facilitate mfg.

CFA205812

DESCRIPTION					
205 CLAMP & FILLER LT RAIL					
BOLT	BOLT GAGE	TYP SPACING	MAT'L	WEIGHT	REV
3/4	BASE+2.75"	24"	A36	1.88 lbs	0
SCALE	TOL.			PART NO.	
NONE	+/- .030			CFA205812	