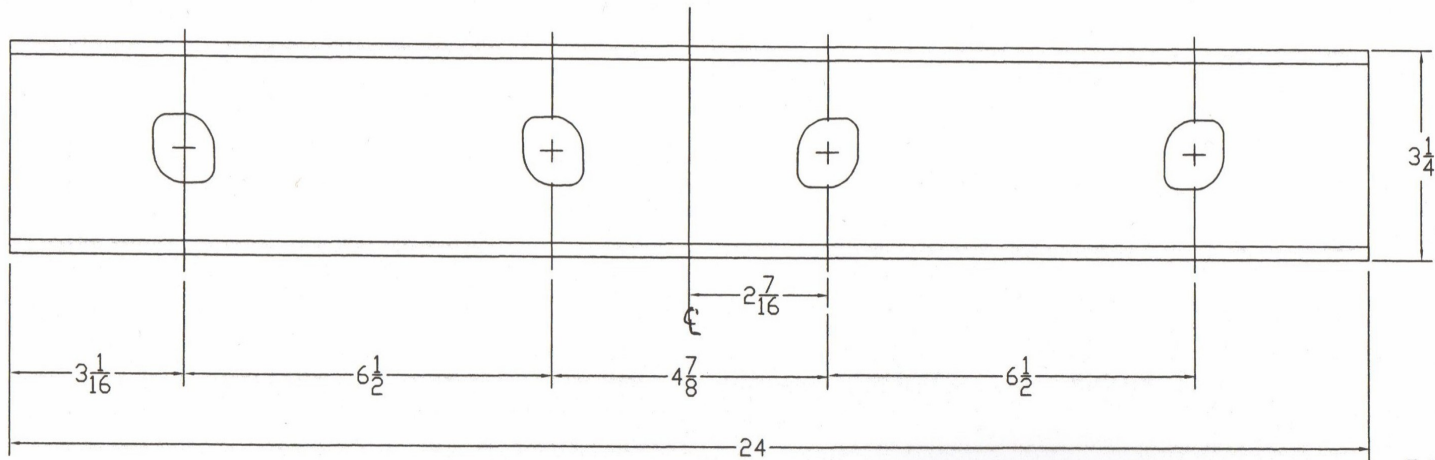


LENGTH, HOLE SPACING, & HOLE SIZE TO YOU REQUEST



5/06/2010

DESCRIPTION					
85# SPLICE BAR with "Diamond Holes"					
BOLT	BOLT GAGE	TYP SPACING	MAT'L	WEIGHT	REV
7/8	N/A	N/A	A36	41 lbs/pr	0
SCALE	TOL.	PART NO. JBF085DIA			
NONE	+/- .030				

This drawing is the property of S&K Steel Products, Inc.
 It is issued for engineering information only and may not
 be copied for manufacturing without written permission from S&K.
 S&K reserves the right to modify details necessary to facilitate mfg.

P/N JBF085DIA