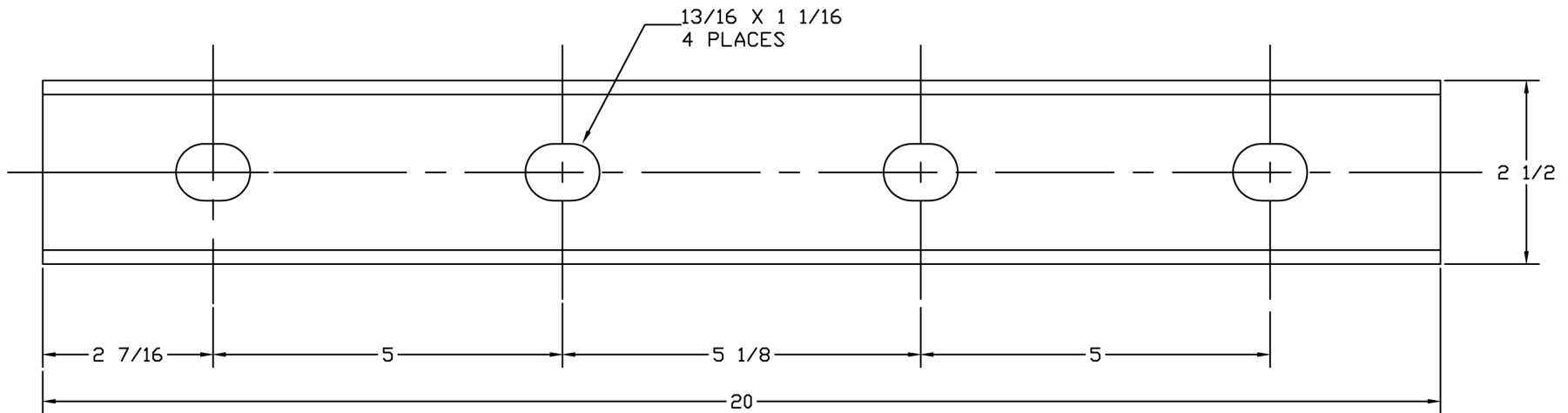


NON-STANDARD PART



3/5/2003

DESCRIPTION					
60# ASCE LIGHT DUTY SPLICE BAR					
BOLT	BOLT GAGE	TYP SPACING	MAT'L	WEIGHT	REV
3/4	N/A	N/A	A36	13.5 lbs/pr	0
SCALE		TOL.	PART NO.		
NONE		+/- .030	SPB060LIT		

This drawing is the property of S&K Steel Products, Inc.
 It is issued for engineering information only and may not
 be copied for manufacturing without written permission from S&K.
 S&K reserves the right to modify details necessary to facilitate mfg.

SPB060LIT