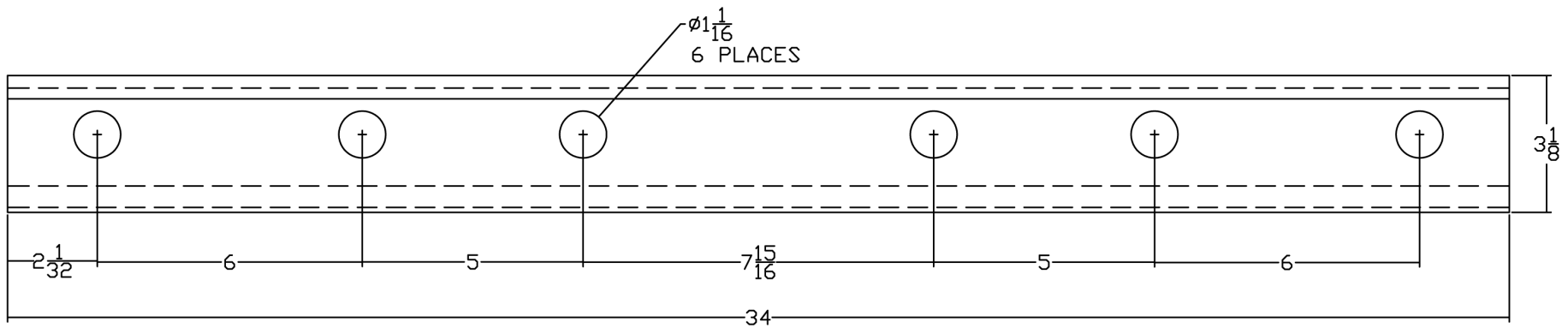


BARS MANUFACTURED PER A.S.T.M A3



3/5/2003

DESCRIPTION					
104# CRANE RAIL BAR					
BOLT	BOLT GAGE	TYP SPACING	MAT'L	WEIGHT	REV
1"	NA	NA	A3-1	52 lbs	0
SCALE		TOL.	PART NO.		
NONE		+/- .030	SPB104034		

This drawing is the property of S&K Steel Products, Inc.
 It is issued for engineering information only and may not
 be copied for manufacturing without written permission from S&K.
 S&K reserves the right to modify details necessary to facilitate mfg.

SPB104034